

Patient Lift

Model: PBPLSM001

Weight Capacity: 450 lb.

Indications for Use:

The ProBasics Patient Lift is indicated for use by patients who have been assessed and approved for its use by a qualified healthcare professional. The Patient Lift may be used with those who have neuro-muscular disorders, restricted physical capability or due to other medical conditions where their ability to transfer is severely restricted.

Contraindications for Use:

The use of the Patient Lift is contraindicated for those who have been assessed by a qualified healthcare professional and deemed incapable of safe use of the Patient Lift for transfers. This may be due to physical, mental and/or other reasons where safe use of the Patient Lift is not possible.



This manual is valid for the
PBPLSM001 Patient Lift

This instruction manual is published by Compass Health Brands Corp.

Compass Health Brands Corp. reserves the right to improve and amend it at any time without prior notice. Amendments may however be published in new editions of this manual.

All Rights Reserved.Rev.V1.0 © 2018, 20180327

Table of Contents

1.	Important Safety Precautions and Warnings	3
2.	Product Warning Labels	6
3.	Specifications	7
4.	Features	8
5.	Handling Procedures	11
6.	Assembly	13
7.	Using The Sling	16
8.	Attaching The Sling Hardware	19
9.	Operation	23
10.	Lifting The Patient	26
11.	Transporting The Patient	29
	a. Transferring to a Commode Chair	29
	b. Transferring to a Standard Commode	30
	c. Transferring to a Portable Bath Tub	31
	d. Transferring to a Wheelchair	32
	e. Transferring From a Wheelchair to a Car	34
	f. Transferring From a Car to a Wheelchair	36
12.	Care and Maintenance	38
13.	Troubleshooting	42
14.	Warranty	43

IMPORTANT SAFETY PRECAUTIONS AND WARNINGS



This section contains important information for the safe operation and use of this product. **DO NOT** use this product or any available optional equipment without first completely reading and understanding these instructions and any additional instruction material such as Owner's Manual, Service Manual's or Instruction Sheets supplied with this product or optional equipment. If you are unable to understand the Warnings, Cautions or Instructions, contact a healthcare professional, dealer or technical personnel before attempting to use this equipment — Otherwise, injury or damage may occur.

SAFETY SYMBOLS USED IN THIS MANUAL



DANGER

Indicates a potentially hazardous situation which, if not avoided, could result in death or serious injury.



WARNING

Indicates a potentially hazardous situation which, if not avoided, could result in serious injury and equipment damage.



CAUTION

Indicates a potentially hazardous situation which, if not avoided, may result in minor or moderate injury to the user or patient or damage to the device or other property.



WARNING

A qualified technician must perform the initial set up of this lift. Also, a qualified technician must perform all procedures in the service manual.

Dealer and qualified technicians: **DO NOT** service or operate this equipment without first reading and understanding the owner's operator and maintenance manual, the service manual (if applicable) and the seating system manual (if applicable). If you are unable to understand the Warnings, Cautions or Instructions, contact a healthcare professional, dealer or technical personnel before attempting to use this equipment — Otherwise, injury or damage may occur.

 **WARNING (con't)**

- **ALWAYS** use two operators when using this lift. Using a single operator may result in serious injury to patient or operator.
- **NEVER** leave patient unattended while the lift is in use. One operator should remain in contact with either the lift or the patient at all times.
- **ALWAYS** inspect sling prior to use. **DO NOT** use a sling that is damaged or showing signs of wear, as the sling may break during transfer and cause patient injury.
- **ALWAYS** ensure mobile devices are locked in place before transferring patient into or out of the lift (e.g. wheelchairs, beds w/casters, etc.)
- **ALWAYS** maintain control of the patient when the lift is in motion. Patient should not be able to swing or freely rotate. Keep patient's head and limbs clear of the mast, pump handle, and control lever at all times. When the lift is in motion, patient should be facing the mast. **DO NOT** rotate patient when the lift is in motion.
- **NEVER** lift patient's weight manually when the sling is supported by the lift. Doing so may cause the sling to detach from the lift and cause patient injury. If the sling or patient need to be repositioned, lower the patient back to the starting point to safely reposition.
- **ALWAYS** keep patient's weight centered over the base legs. When the lift is in motion, the patient's weight should be as low as possible to prevent tipping.
- **NEVER** use lift caster brake (if equipped) while lifting, transferring or transporting a patient. Brakes are provided for parking purposes only when lift is not in use.
- Check all parts for shipping damage before using. In case of damage, **DO NOT** use the equipment. Contact the Dealer for further instructions.
- The ProBasics patient lift is **NOT** a transport device. It is intended to transfer an individual from one resting surface to another (such as a bed to a wheelchair). Moving a person suspended in a sling over **ANY** distance is **NOT** recommended. The patient lift is not intended for use as an equipment or machinery hoist.
- **DO NOT** attempt any transfer without approval of the patient's physician, nurse or medical attendant. Thoroughly read the instructions in this Owner's Manual, observe a trained team of experts perform the lifting procedures and then perform the entire lift procedure several times with proper supervision and a capable individual acting as a patient before attempting to use this device on the patient.
- The patient lift is **NOT** a toy. **ALWAYS** keep it away from children and pets.

 **WARNING (con't)**

- Special care **MUST** be taken with physically challenged individuals who cannot cooperate while being lifted. Use restraint straps if necessary.
- Use only genuine ProBasics Slings and lift accessories to maintain patient safety and product utility. Slings and accessories designed by other manufacturers are **NOT** to be utilized with the ProBasics Patient Lift system. Use of such products is prohibited and will void the warranty.
- Use a sling that is recommended by the individual's doctor, nurse or medical attendant for the comfort and safety of the individual being lifted.
- **DO NOT** use any kind of material (i.e. plastic backed incontinence pad, seat cushion, etc.) between the patient and sling material as it may cause the patient to slide out of the sling during a transfer.
- When using an adjustable base lift, the legs **MUST BE** in the maximum **OPENED/LOCKED** position **BEFORE** lifting the patient.
- Before transferring a patient from a stationary object (wheelchair, commode, bed, etc.), slightly raise the patient and check all sling hardware for secure attachment. If any attachment is not correct, lower the patient, correct the problem, then raise the patient and check again.
- Patient lift should **NOT** be used on bumps or uneven ground.
- During transfer, with patient suspended in the sling, **DO NOT** roll caster base over objects such as carpets, raised carpet bindings, door frames, or any uneven surfaces or obstacles that would create an imbalance of the patient lift and could it to tip over.
- Use steering handles on the mast at **ALL** times to push or pull the patient lift.
- **DO NOT** exceed maximum weight limit of 450 lb. for this patient lift.
- After the first six (6) months of operation, inspect the swivel bar and boom (to which it attaches) for wear. If the metal is worn, the parts **MUST** be replaced. Make this inspection every three (3) months thereafter.
- The hydraulic pump is factory sealed and **MUST BE** returned to the factory if repair is needed. **DO NOT** attempt to open the hydraulic pump or obtain local service as this will **VOID** the warranty and may result in damage and a costly repair. Consult your dealer or Compass Health Brands for further information.
- Casters and axle bolts require inspection every six (6) months to check for tightness and wear. Refer to page 38 for regular maintenance information.

 **CAUTION**

This product contains natural rubber latex which may cause allergic reactions.

PRODUCT WARNING LABELS

The ProBasics Patient Lift includes safety and operational information on the product to further ensure safe operation of the patient lift. This information is not a substitute for and does not replace this user manual and includes only select information for the safe use and proper care of the patient lift.

The Shifter Handle is used to open the legs of the base for stability before lifting a patient. Before lifting, lock open the legs at the base. Shifter handle should be completely vertical when locked. The base legs must be locked in the maximum open position at all times when lifting a patient.

WARNING: For maximum stability and patient safety operate this lift with the base legs in maximum open position and locked, when lifting patient. Refer to the Owner's Manual for a complete list of warnings.

To open the base legs, grasp the shifter handle in one hand and place the opposite hand on the steering handle of the mast for balance. Move the handle to your right to release the lock pin, then bring the handle towards you in a complete half-circle. The lock pin should insert into a hole in the plate to lock the legs in full open position and the shifter handle should once again be vertical. To close the legs to a narrow position for storage, reverse this above procedure. If the shifter handle is not vertical (straight up and down), the lock pin is not seated in place. Customer service – 1-800-376-7263.

WARNING

BEFORE using the Patient Lift, **READ** and **UNDERSTAND** the Owner's Manual for proper operation and safety procedures.

Assembly should be completed by a qualified technician.

WARNING

WEIGHT CAPACITY 450 lb.

Your ProBasics Patient Lift is **NOT** a transport device.

NEVER move a person suspended in a sling over **ANY** distance. Sling weight capacities may vary.

DO NOT roll caster-base over deep carpet, raised carpet bindings, door frames or any uneven surfaces that may cause the Patient Lift to tip over.

DO NOT lock the casters of the Patient Lift when lifting an individual.

Castors **MUST** be left unlocked to allow the Patient Lift to stabilize during the lifting procedure.

WARRANTY VOID IF SEAL IS BROKEN

SPECIFICATIONS

Base Width	Open: 42 ¼" Closed: 22"
Base Height	5 ¼" (Clearance)
Base Length	40 ½"
Boom Height at Sling Attachment	Min: 17" Max: 61" Range: 44" Overall: 73"
Weight Capacity	450 lb.
Product Weight	67.7 lbs.
Warranty	5 Year Limited (frame only), 1 Year Limited All Other Parts

FEATURES

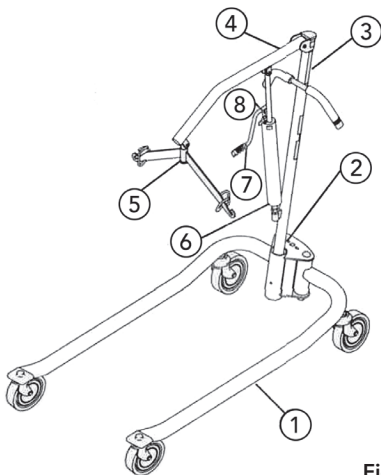


Fig. 1

1	Adjustable Base with Four (4) 5" Casters
2	Shifter Handle (Open & Close Base Legs)
3	Mast Support
4	Height Adjustable Boom Arm
5	Swivel Bar
6	Hydraulic Hand Pump
7	Hydraulic Hand Pump Pumping Handle
8	Hydraulic Hand Pump Control Valve

FEATURES (con't)

Adjustable Base

The ProBasics Patient Lift is supported by four (4) 5-inch casters. Two (2) in the rear and two (2) in front. Support legs open 22" to 42 ¼".

Patient Slings

- Patient slings work in conjunction with lifts to support the patient during lifting and transferring procedures.
- Slings attach to the lift by using either sewn-in loop straps, chains or adjustable straps.
- Each sling offers reinforcement at each hook-on point to ensure patient safety.
- Each sling is constructed of durable materials which resist deterioration from exposure to moisture or laundering.



WARNING

Use a sling that is recommended by the individual's doctor, nurse or medical attendant for the comfort and safety of the individual being lifted. Always inspect the sling prior to use.

Item#	Description	Size	UOM
Mesh Slings			
PBSL110	ProBasics Full Body Mesh Sling	MED	EA.
PBSL111	ProBasics Full Body Mesh Sling	LG	EA
PBSL114	ProBasics Full Body Mesh Sling with Commode Opening	MED	EA
PBSL115	ProBasics Full Body Mesh Sling with Commode Opening	LG	EA
PBSL116	ProBasics Full Body Mesh Sling with Commode Opening	XL	EA

FEATURES (con't)

Item#	Description	Size	UOM
Nylon Slings			
PBSL112	ProBasics Full Body Nylon Sling	MED	EA.
PBSL113	ProBasics Full Body Nylon Sling	LG	EA
PBSL117	ProBasics Full Body Nylon Sling	XL	EA

- The one-piece slings can be used on heavy or light patients.
- Supports patient from shoulders to the knees.
- Used for weighing or transferring patients.
- Divided leg designs are best suited for high level spinal cord injuries or patients where sling removal is more difficult.
- Support ranges from the upper back to beneath the thighs.
- Can be positioned with the patient in a seated position.
- Greatly simplifies the use of bathroom facilities.

All ProBasics slings are rated with a weight capacity of 450 lbs. The maximum weight capacity of the Patient Lift will be less than 450 lbs., if slings with a lower weight capacity rating are used with the ProBasics Patient Lift.

The maximum weight capacity will be 450 lbs. **OR** the rated weight capacity of the sling, whichever is lower.

HANDLING PROCEDURES

Shipping And Transportation Instructions

If the Patient Lift is to be reshipped by common carrier, it should be packed in the same carton. Extra cartons are available from ProBasics. A qualified technician must perform initial set-up.

Unpacking

- 1) Check for any obvious damage to the carton or its contents. If damage is evident, notify ProBasics Dealer. **DO NOT** use the patient lift if **ANY** damage to the device is observed.
- 2) Remove all loose packing from the carton.
- 3) Carefully remove all the components from the carton.

NOTE
If you plan on only using the Patient lift for a short time or plan on shipping it to another facility, retain all boxes, containers and packing material for storage and/or shipment. See Fig. 2.

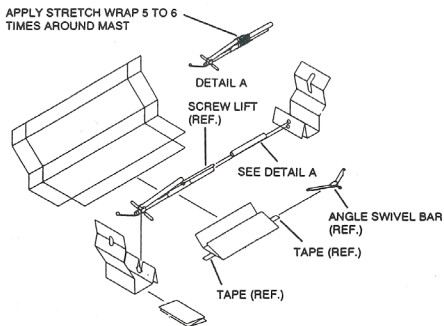
Inspection

Examine exterior of the Patient Lift for nicks, dents, scratches or damages. Inspect all components.

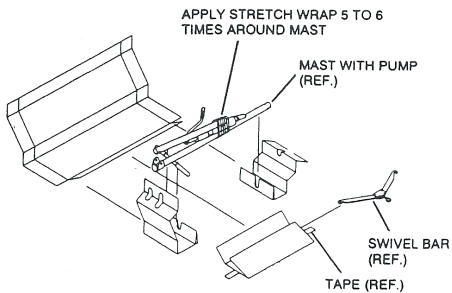
Storage

- 1) Store the repackaged Patient Lift in a cool dry area.
- 2) **DO NOT** place other objects on top of the repackaged Patient Lift.
- 3) See Fig. 2 for repackaging instructions.

Mast Carton



Hydraulic Hand Pump Carton



Base Carton

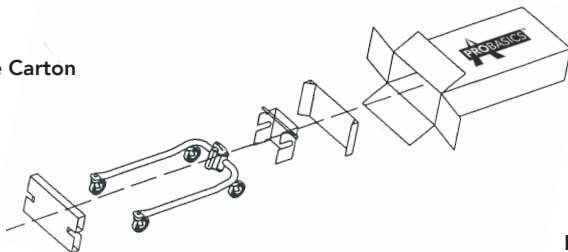


Fig. 2

ASSEMBLY

WARNING

Use only genuine ProBasics parts in the assembly of this lift. All parts have been manufactured to specifications standards and tolerances that assure correct alignment of all parts for safe functional operation.

Base, Mast And Boom Assembly

1. Unpack the components from the shipping cartons.
It is recommended that two people perform this step to reduce the risk of injury.
2. Clean then coat the connection area between the mast and the base with petroleum jelly prior to assembly.
- 4 Match the notch at the **BOTTOM** of the mast assembly with the **TABS INSIDE** the socket of the base assembly and insert
(See Fig. 3).

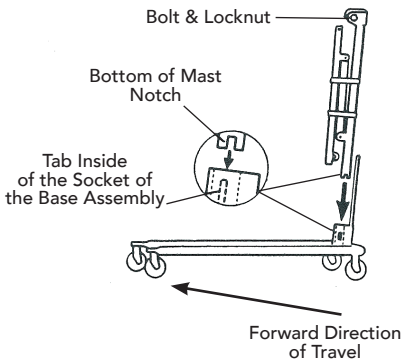


Fig. 3

ASSEMBLY (con't)

5. Twist the mast assembly to make sure that the notch is locked in with the **TABS** of the socket (see Fig. 4)

NOTE

If the mast **DOES NOT** turn, the mast is centered and locked in place.

6. Insert the **THUMBSCREW** into the bottom of the base and securely tighten. **DO NOT** over-tighten, this will damage mounting brackets.

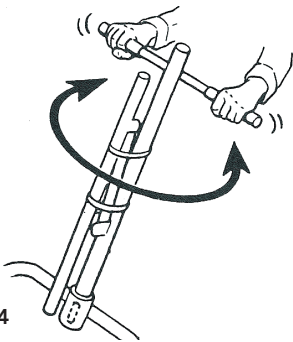


Fig. 4

⚠ WARNING

The mast may be removed from the base for storage or transporting. Each time the mast is removed and returned to the socket of the base, the mast **MUST** be locked into the socket of the base assembly, as outlined in steps 2 – 6 above.

ASSEMBLY (con't)

Base Shifter Handle Assembly

1. Insert the base shifter handle into the cam lock assembly at the back of the base.
2. Align the holes of the shifter handle and cam lock assembly.
3. Tighten the thumb screw to secure the shifter handle in place.

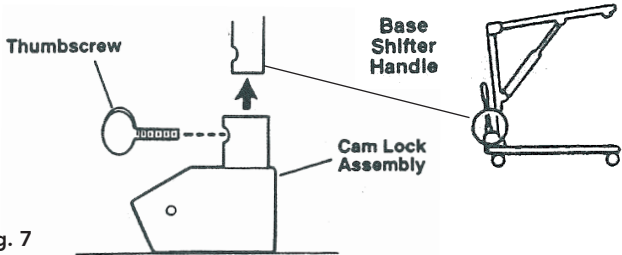


Fig. 7

NOTE

This should prevent the base shifter handle from being removed

USING THE SLING

ProBasics slings are designed specifically to be used with ProBasics Patient Lifts and are made to properly support the patient during the lift and transfer procedure. The slings can attach to the lift with either straps or chains (inter-changeable). Each sling has reinforced points of attachment for superior patient safety.

Each ProBasics Patient Sling is made from fabric material that is extremely durable and resists deterioration from exposure to moisture and laundering. This design will accommodate most patients with support from the shoulders to the knees. The contour shape of the sling provides comfort during the lift by avoiding excess material bulking up between the back and seat sections.

Positioning The Sling (Without Headrest)

1. Position the patient in the center of the bed, laying flat on their back.
2. Fold the sling in half (length-wise) and place the fold beside the patient. See Fig. 8.
3. The top edge of the sling should be slightly above the patient's armpit.
4. The bottom edge of the sling should then be a few inches above the back of the patient's knee.
5. With both attendants holding the patient, push the folded sling under the patient without rolling him/her over.

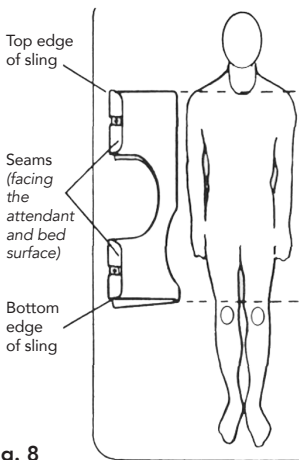


Fig. 8

USING THE SLING (con't)

Positioning The Patient On The Sling

NOTE

- Use the following method to easily move the patient and avoid strain to yourself.
- ProBasics recommends that two (2) attendants (One [1] on each side of the bed) be used when positioning the patient in a sling.

1. If the patient is to roll to their **LEFT-SIDE**, then elevate the patient's **RIGHT KNEE** until the right foot is flat on the bed.
2. With an attendant on each side of the bed and up against the mattress, the attendant on the left-hand side of the bed will position his/her **RIGHT-HAND** on the elevated **KNEE** and his/ her **LEFT-HAND** under the patient's **RIGHT SHOULDER**, slowly push on the knee and assist with a slight lift of the shoulder and the patient will easily roll onto their side.
3. With the patient on their side, push the fabric of the seat and back gently under them.
4. Roll the patient on to his/her back.
5. After the patient has been positioned once again on his/her back, you now need to roll the patient to their **RIGHT-SIDE** (facing the attendant on the **LEFT**). The attendants will reverse roles of steps 1 – 4.
6. With an attendant on each side of the bed and up against the mattress, the attendant on the right-hand side of the bed will elevate the **LEFT KNEE** and position his/her **LEFT-HAND** on the elevated **KNEE** and his/ her **RIGHT-HAND** under the patient's **LEFT SHOULDER**. The attendant will slowly push on the knee and assist with a slight lift of the shoulder and the patient will easily roll onto their side.

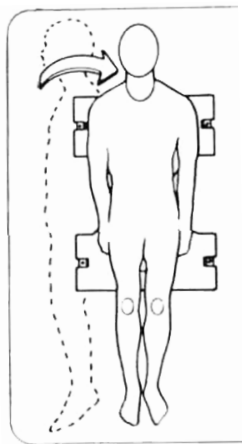


Fig. 9

USING THE SLING (con't)

7. Pull the fabric of the seat and back across the mattress until they are smooth.
8. Roll the patient onto their back and they should be approximately centered on the sling.
9. You are now ready to attach the chains or straps to the sling. Refer to the "Attaching the Sling" Section of this manual on page 19.

"U" Slings – Padded



WARNING

If the patient is in a wheelchair, secure the wheelchair wheel locks in place to prevent the chair from moving forward or backwards.

NOTE

- Use the following method to easily move the patient and avoid strain to yourself.
- ProBasics recommends that two (2) attendants (One [1] on each side of the bed) be used when positioning the patient in a sling.
- The front attendant will be supporting the weight of the patient.

1. With the patient sitting in a chair one (1) attendant in the front and the other attendant in the back, lean the patient forward.
2. Place the sling behind the patient and bring the flaps out alongside the patient's legs.

NOTE

The back of the sling (mounting area) should be parallel to the patient's upper arms and be positioned between the top of the patient's back and the top of the chair back.

3. With the back of the sling positioned properly, push the edges of the commode opening under the patients buttocks.
4. Lean the patient back into the chair with the attendant in the rear supporting his/her weight.

USING THE SLING (con't)

5. Lift the patient's legs (one at a time) while holding the leg panel of the sling, reach under the patient's leg and pull until the leg panel of the sling is behind the patient's knees (about three [3] inches) and the back of the sling remains in position.
 6. The straps **MUST** be crossed **BETWEEN** or **UNDERNEATH** the patient's legs.
- Refer to the "Attaching the Sling" section below.

ATTACHING THE SLING HARDWARE

NOTE
Remove all metal support bars when laundering any sling.

1. To insert a metal support bar, pull the strap down allowing the bar to pass through the opening in the sling pocket. See Fig. 10.
2. Push the metal support bar through until the mounting hole clears the center opening of the sling pocket.
3. Once the opposite end of the bar is inside the sewn pocket, push the strap over the metal support bar to prevent it from falling out. The hole in the metal bar should be in the center of the pocket opening. This is where the S-hook of the chain or strap will be attached. See Fig. 10

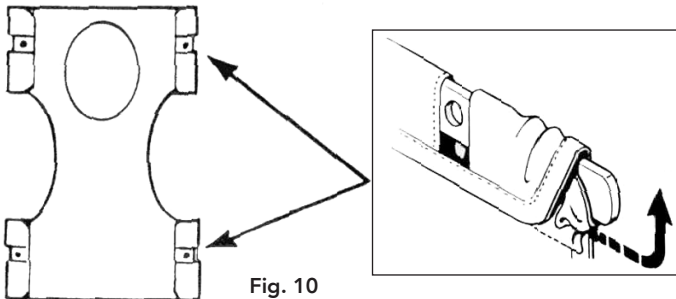


Fig. 10

ATTACHING THE SLING HARDWARE (con't)

WARNING

When using either the chains or straps to connect the sling to the patient lift, the shortest of the two (2) sections of the chains or straps **MUST** be attached to the back section of the sling. Using the long section will leave little or no support for the patient's back. See Fig. 11.

1. With the patient laying on their back and positioned properly in the sling, lay the chains or straps on the bed next to the sling.
2. The short section of chain or strap will be placed parallel to the patients back. This will position the longer section of chain or strap from the waist to the mid-section of the thigh.

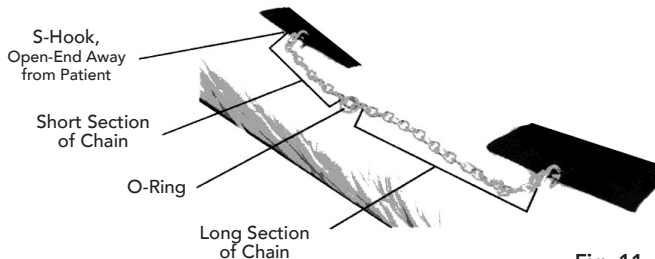


Fig. 11

WARNING

The S-hooks on the ends of the chains or straps are inserted into the metal support bar of the sling.

ATTACHING THE SLING HARDWARE (con't)

3. The S-hook **MUST** be inserted through the hole in the support bar with the open end facing away from the patient. See Fig. 12.
4. The O-ring of a chain assembly is the suggested location to attach to the swivel bar, however, by changing to different links, you can reposition the patient into a reclining or more upright position.

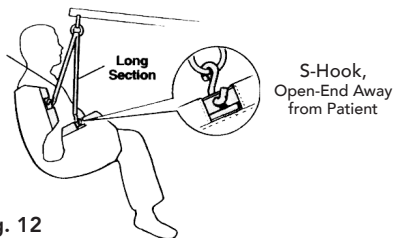


Fig. 12

⚠ WARNING

When changing to different lengths, **DO NOT** disconnect the O-rings of the chains from the swivel bar. Position **BOTH** the O-rings and additional chain link onto the hooks of the swivel bar.

5. The straps can be simply adjusted to achieve the same effect.
6. With the sling positioned under the patient, and the metal support bars in place, you are now ready to move the lift into position to attach the sling hardware to the swivel bar.

ATTACHING THE SLING(S)

NOTE

Refer to **PATIENT LIFT SAFETY SUMMARY** in the front of this manual before proceeding further and observe all **WARNINGS** indicated.



WARNING

Before lifting or transferring the patient, the base legs **MUST** be **LOCKED** in the OPEN position for optimum stability and safety.

NOTE

Before positioning the legs of the patient lift under the bed, make sure that the area is clear of any obstructions.

1. With the legs of the base **OPEN** and **LOCKED**, use the steering handle to push the patient lift underneath the bed.
2. Lower the boom arm of the patient lift for easy attachment of the sling.
3. Place the straps of the sling over the hooks of the swivel bar.



WARNING

- When connecting the sling to the patient lift, the shortest of the straps **MUST** be at the back of the patient for support. Using the long section will leave little or no support for the patient's back.
- The S-hooks on the ends of the chains or straps are inserted into the metal support bar of the sling.

OPERATION

Operating The Patient Lift – Opening the Legs

WARNING

- **DO NOT** attempt any transfer without approval of the patient's physician, nurse or medical attendant. Thoroughly read the instructions in this Owner's Manual, observe a trained team of experts performing the lifting procedures and then perform the entire lift procedure several times with proper supervision and a capable individual acting as a patient.
- ProBasics does **NOT** recommend locking of the rear casters of the patient lift when lifting an individual. Doing so could cause the lift to tip and endanger the patient and assistants.
- ProBasics **DOES** recommend that the rear casters be left **UNLOCKED** during lifting procedures to allow the patient lift to stabilize itself when the patient is initially lifted from a chair, bed or any stationary object.
- **ONLY** operate this lift with the legs in maximum open position and locked in place. The base legs **MUST** be locked in the open position at all times for stability and patient safety when lifting and transferring a patient

The Shifter handle is used to open the legs of the base for stability when lifting a patient.

1. Grasp the shifter handle with one hand and grasp the steering handle of the mast with the other.
2. Push the shifter handle to your **RIGHT** to release the lock pin from its mounting hole.
3. Turn the handle **CLOCKWISE** until you are able to secure the lock pin into the opposite mounting hole to fully open the legs of the base. See Fig. 13.

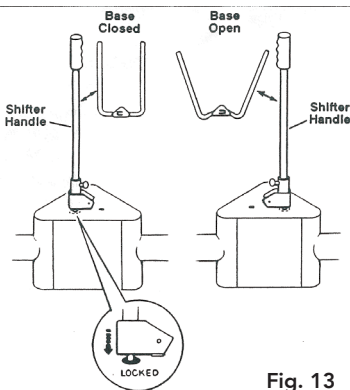


Fig. 13

OPERATION (con't)

Operating The Patient Lift – Opening the Legs (con't)

NOTE

The lock pin **MUST** insert into its mounting hole in the socket assembly to lock the legs in the full open or closed position. The shifter handle will be in the vertical position; parallel with the mast assembly.



WARNING

If the shifter handle is **NOT** vertical, the lock pin is **NOT** seated in the socket assembly. **DO NOT** use the patient lift until lock pin is properly seated and **LOCKED** in place or injury and/or damage may occur.

Operating The Patient Lift – Boom Operation

There are two (2) controls on the pump assembly:

1. The control valve
2. The pump handle



WARNING

Adjustments for safety and comfort **MUST** be made **BEFORE** moving the patient.

- Raising The Boom

1. Ensure the control valve is in the **CLOSED** position (control valve positioned towards pump handle)
2. Move the pump handle up and down with smooth even strokes to elevate the boom.

OPERATION (con't)

Operating The Patient Lift – Boom Operation (con't)

- Lowering The Boom

1. The rate of descent for the boom can be controlled by varying the amount that the control valve is opened.
2. Once the lift is in place, slowly open the control valve by positioning it away from the pump handle. See Fig. 14.

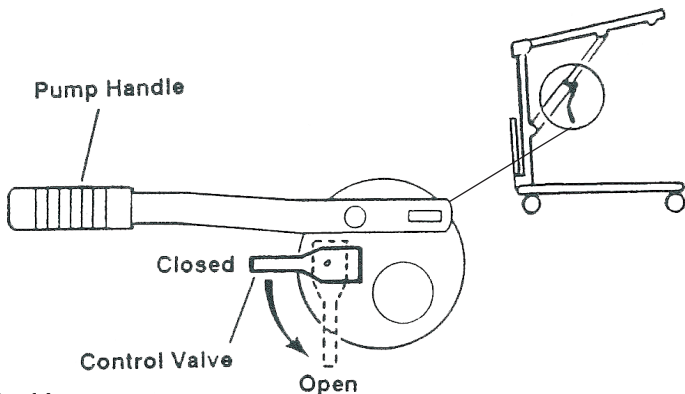


Fig. 14

NOTE

A safety gate is part of the hydraulic system that maintains a **SLOW** constant descent of the boom regardless of how far the control valve is opened.

LIFTING THE PATIENT

NOTE

Refer to the **PATIENT LIFT SAFETY SUMMARY** in the front of this manual before proceeding further and observe all **WARNINGS** and indicated.

WARNING

- It is recommended that two (2) attendants be used for all transfers using the patient lift.
- When using chains or straps to connect the sling to the patient lift, the shortest of the two (2) sections **MUST** be attached to the back section of the sling. Using the long section will leave little or no support for the patient's back.
- Comfort & safety adjustments **MUST** be made before transferring the patient.
- Before lifting or transferring the patient, the base legs **MUST** be locked in the open position for optimum stability and safety.
- ProBasics does **NOT** recommend locking of the rear casters of the patient lift when lifting an individual. Doing so could cause the lift to tip and endanger the patient and assistants.
- ProBasics **DOES** recommend that the rear casters be left **UNLOCKED** during lifting procedures to allow the patient lift to stabilize itself when the patient is initially lifted from a chair, bed or any stationary object.

1. Using the steering handle, push the patient lift underneath the bed with the legs in the **OPEN** position.
2. Lower the boom of the patient lift for easy attachment of the sling hardware or straps.
3. Chains, O-Rings and D-Rings:
After the chains, O-Rings or D-Rings are attached and the S-hooks are secured on all four (4) points of the sling (open end facing outward), place the D-rings of the strap assembly or the O-ring and chain link of the chain assembly over the chain hooks of the swivel bar.
4. Chain-Free Full Body and Padded "U" Slings:
Attach the straps to the strap hooks of the swivel bar.

LIFTING THE PATIENT (con't)

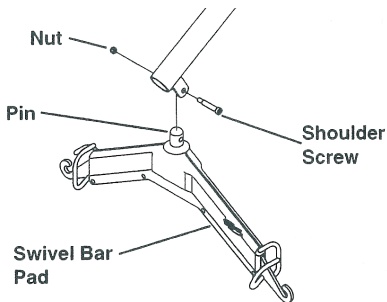


Fig. 15

WARNING

- **ONLY** attach **STRAPS** of the Full Body and Padded "U" Slings to the **STRAP HOOKS** of the Swivel Bar
- **ONLY** attach **CHAINS, O-RINGS or D-RINGS** to **CHAIN HOOKS** of the Swivel Bar
- **DO NOT** change or intermix attachment points or serious injury may occur.

5. Gently pump the pump handle by raising it up and pushing it down to raise the boom and patient. The patient should be elevated high enough to clear the bed or surface being transferred to.

NOTE

On a hydraulic lift, the boom will stay in position until the control valve is opened.

6. When the patient is lifted from a surface (with the patient's head supported), he/she will be raised to a sitting position.

NOTE

A headrest sling may be used for support for the patient's head during elevation and transfer.

LIFTING THE PATIENT (con't)



WARNING

- When elevated a few inches off the surface of the bed and before moving the patient, check again to make sure that all hardware is properly connected. Check each S-hook to make sure it is completely attached to the metal support bars of the sling. Check the attachment of the straps, O or D-rings to the swivel bar hooks. If any attachments are **NOT** properly in place, lower the patient back onto the bed and correct this problem.
- Adjustments for safety and comfort **MUST** be made before moving the patient. Patient's arms should be inside of the chains or straps.

7. When patient is clear of the bed surface, swing their feet off the bed.
8. Using the steering handles, move the patient lift away from the bed.



WARNING

- When moving the patient lift away from the bed, turn patient so that he/she faces attendant operating the patient lift.
- **DO NOT** use the rear locking casters when patient is in the lift.

9. Pull the patient lift away from the bed and spin them so they are facing the lift operator.
10. Open the control valve to lower patient so that their feet rest on or over the base of the lift, straddling the mast. Close control valve.
11. A lower center of gravity provides more stability making the patient feel more secure and the lift easier to pull or push using both hands.

NOTE

- When moving the patient lift away from the bed, turn patient so that he/she faces attendant operating the patient lift.
- **DO NOT** use the rear locking casters when patient is in the lift.

TRANSPORTING THE PATIENT

The ProBasics slings with commode openings are designed to be used with either a commode chair or standard commode.

NOTE

ProBasics recommends that the sling remain connected to the swivel bar during the patient's use of either the commode chair or standard commode.

WARNING

- When elevated a few inches off the bed, wheelchair, commode chair or standard commode and before moving the patient, check again to make sure that all hardware or straps are properly connected. Check each S-hook to make sure it is completely attached to the metal bars of the sling with the commode opening facing the attendant.
- Check the attachment of the straps, O-Rings or D-Rings to the swivel bar hooks. If any attachments are **NOT** properly in place, lower the patient back onto the bed, wheelchair, commode chair or standard commode to correct this problem.
- Adjustments for safety and comfort **MUST** be made before moving the patient. Patient's arms should be inside of the chains or straps.
- ProBasics does **NOT** recommend locking of the rear casters of the patient lift when lifting an individual. Doing so could cause the lift to tip and endanger the patient and assistants.
- ProBasics **DOES** recommend that the rear casters be left **UNLOCKED** during lifting procedures to allow the patient lift to stabilize itself when the patient is initially lifted from a chair, bed or any stationary object.

Transferring To A Commode Chair

1. The patient should be elevated high enough to clear the commode chair and their weight supported by the lift. See Fig 16.
2. With the help of both attendants, guide the patient onto the commode chair.
3. Lower the patient onto the commode chair leaving the sling attached to the swivel bar.
4. When complete, recheck for correct attachment and then raise the patient off of the commode chair.

TRANSPORTING THE PATIENT (con't)

Transferring To A Commode Chair (con't)

5. When patient is clear of the commode surface (using the steering handles), move the lift away from the commode chair.
6. To return patient to bed, reverse procedures concerning lifting the patient, operation and sling attachment.
7. To return or place patient in a wheelchair, refer to **TRANSFERRING TO A WHEELCHAIR** in this manual. See page 32.

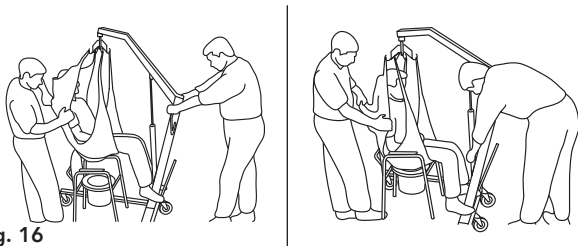


Fig. 16

Transferring To A Standard Commode

WARNING

The patient **MUST** be transferred to a **WHEELCHAIR** and transported to the bathroom facilities before using the patient lift again to position the patient on a standard commode. Refer to **TRANSFERRING TO A WHEELCHAIR** in this manual

1. To lift the patient from the bed, follow the procedures concerning lifting the patient, operation and sling attachment.
2. The patient should be elevated high enough to clear the standard commode and their weight supported by the patient lift.
3. With the help of both assistants, guide the patient onto the standard commode.
4. Lower the patient onto the standard commode leaving the sling attached to the swivel bar hooks.

TRANSPORTING THE PATIENT (con't)

Transferring To A Standard Commode (con't)

5. When complete, recheck for correct attachment and then raise the patient off of the standard commode.
6. When patient is clear of the standard commode surface (using the steering handles), move the lift away from the standard commode.
7. To return or place a patient in a wheelchair, refer to **TRANSFERRING TO A WHEELCHAIR** in this manual.
8. To return patient to bed, reverse procedures concerning lifting the patient, operation and sling attachment.

Transferring To A Portable Bath Tub

 **WARNING**

- When elevated a few inches off the surface of the bed and before moving the patient, check again to make sure that all hardware or straps are properly connected. Check each S-hook to make sure it is completely attached to the metal support bars of the sling. Check the attachment of the straps, O-Rings or D-rings to the swivel bar hooks. If any attachments are **NOT** properly in place, lower the patient completely to correct this problem.
- Adjustments for safety and comfort **MUST** be made before moving the patient. Patient's arms should be inside of the chains or straps

1. To remove the patient from the bed, observe procedures concerning sling attachment, operation and lifting the patient.
2. The patient should be elevated high enough to clear the bed and be able to slide the portable bath tub under the patient.
3. Lower the patient into the portable bath tub.
4. Detach chains/straps from sling and reattach to the portable bath tub.
5. Using the lift, raise the sides of the portable bath tub.
6. Bathe patient.
7. Reverse procedures to return patient to bed.

TRANSPORTING THE PATIENT (con't)

Transferring To A Wheelchair



WARNING

- When elevated a few inches off the surface of the bed, wheelchair, commode chair or standard commode and before moving the patient, check again to make sure that all hardware or straps are properly connected. Check each S-hook to make sure it is completely attached to the metal bars of the sling with the commode opening facing the attendant.
- Check the attachment of the straps, O-Rings or D-Rings to the swivel bar hooks. If any attachments are **NOT** properly in place, lower the patient back onto the bed, wheelchair, commode chair or standard commode to correct this problem.
- Adjustments for safety and comfort **MUST** be made before moving the patient. Patient's arms should be inside of the chains or straps.
- ProBasics does **NOT** recommend locking of the rear casters of the patient lift when lifting an individual. Doing so could cause the lift to tip and endanger the patient and assistants.
- ProBasics **DOES** recommend that the rear casters be left **UNLOCKED** during lifting procedures to allow the patient lift to stabilize itself when the patient is initially lifted from a chair, bed or any stationary object.

1. The legs of the lift (w/patient) are in the opened position.
2. The wheelchair is moved into position.



WARNING

Wheelchair wheel locks **MUST** be in a locked position before lowering the patient into the wheelchair for transport

3. The rear wheel locks are locked to further prevent movement of the chair. See Fig. 17.
4. The patient is positioned over the seat with their back against the back of the chair.
5. Begin to lower the patient either by opening the control valve or by turning the crank counterclockwise.

TRANSPORTING THE PATIENT (con't)

Transferring To A Wheelchair (con't)

6. With one (1) attendant behind the chair and the other operating the patient lift, the attendant behind the chair will pull back on the handle or sides of the sling to place the patient into the back of the chair. This will maintain a good center of balance and prevent the chair from tipping forward. See Fig. 18 & 19.
7. The sling is disconnected from the patient lift.
8. To return to the bed, reverse procedures concerning lifting the patient, operation and sling attachments.

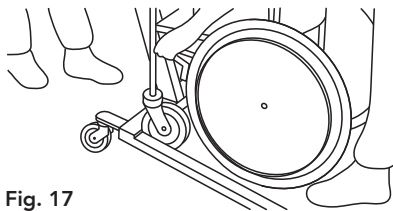


Fig. 17

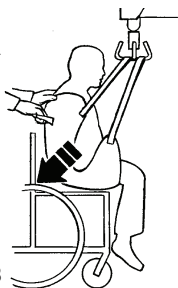


Fig. 18

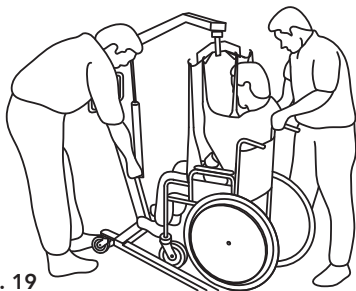


Fig. 19

TRANSPORTING THE PATIENT (con't)

Transferring From A Wheelchair To A Car

NOTE

- To position an individual in a sling, follow the procedures concerning lifting the patient, operation and sling attachments.
- ProBasics recommends that two (2) attendants be used when transferring a patient from a wheelchair to a car.
- Before lifting the patient from the chair, make sure to shorten the distance between the patient and the boom. This will make the transfer into the seat of the car easier.



WARNING

- When elevated a few inches off the surface of the bed, wheelchair, commode chair or standard commode and before moving the patient, check again to make sure that all hardware or straps are properly connected. Check each S-hook to make sure it is completely attached to the metal bars of the sling with the commode opening facing the attendant.
- Check the attachment of the straps, O-Rings or D-Rings to the swivel bar hooks. If any attachments are **NOT** properly in place, lower the patient back onto the bed, wheelchair, commode chair or standard commode to correct this problem.
- Adjustments for safety and comfort **MUST** be made before moving the patient. Patient's arms should be inside of the chains or straps.
- ProBasics does **NOT** recommend locking of the rear casters of the patient lift when lifting an individual. Doing so could cause the lift to tip and endanger the patient and assistants.
- ProBasics **DOES** recommend that the rear casters be left **UNLOCKED** during lifting procedures to allow the patient lift to stabilize itself when the patient is initially lifted from a chair, bed or any stationary object.
- The transfer to a car should be made on a level driveway or surface.

1. Attach the chains or straps to swivel bar.
2. Engage the rear wheel locks of the wheelchair.
3. Lift the patient from the wheelchair.
4. The lift is moved, by the steering handles, to a position close to the doorway of the car.

TRANSPORTING THE PATIENT (con't)

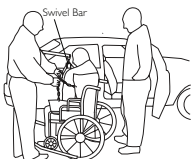
Transferring From A Wheelchair To A Car (con't)

5. Lower the boom of the lift until it is about even with the roof of the car. Fig. 20
6. As one (1) attendant pushes the patient into the car by his knees until he/she is positioned over the seat of the car, the other attendant lowers the boom. As the boom is being lowered, the first assistant is not only pushing but turning the patient, so he/she is positioned facing the front of the car.
7. The patient will come to rest on the seat of the car.
8. While one (1) attendant is holding the patient, the other attendant removes the chains or straps from the swivel bar and slides the patient lift out of the way. Fig. 21.
9. The sling may be left under the patient or removed.
10. The mast, boom and pump assembly may be removed from the base and transported in the car.

NOTE

If the lift and wheelchair are both packed in the trunk of the car, care should be taken not to damage the spokes of the wheelchair on the steering handles of the lift.

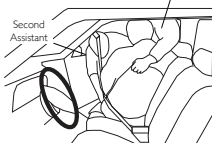
1. ATTACHING CHAINS



2. LOCKING REAR WHEELS



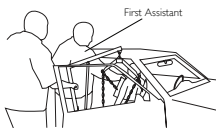
6. SETTING THE PATIENT First Assistant



3. LIFTING THE PATIENT



5. LOWERING THE PATIENT



8. SLING PLACEMENT



Fig. 20

Fig. 21

TRANSPORTING THE PATIENT (con't)

Transferring From A Car To A Wheelchair

NOTE

- ProBasics recommends that two (2) attendants be used when transferring a patient from a wheelchair to a car.
- One (1) assistant will remain in control of the patient at all times.



WARNING

- When elevated a few inches off the surface of the bed, wheelchair, commode chair or standard commode and before moving the patient, check again to make sure that all hardware or straps are properly connected. Check each S-hook to make sure it is completely attached to the metal bars of the sling with the commode opening facing the attendant.
- Check the attachment of the straps, O-Rings or D-Rings to the swivel bar hooks. If any attachments are **NOT** properly in place, lower the patient back onto the bed, wheelchair, commode chair or standard commode to correct this problem.
- Adjustments for safety and comfort **MUST** be made before moving the patient. Patient's arms should be inside of the chains or straps.
- ProBasics does **NOT** recommend locking of the rear casters of the patient lift when lifting an individual. Doing so could cause the lift to tip and endanger the patient and assistants.
- ProBasics **DOES** recommend that the rear casters be left **UNLOCKED** during lifting procedures to allow the patient lift to stabilize itself when the patient is initially lifted from a chair, bed or any stationary object.
- The transfer to a car should be made on a level driveway or surface.

1. With the first assistant supporting the patient, the second assistant then lowers the boom of the patient lift until the hooks of the swivel bar are even with the roof of the car. See Fig. 20.
2. Attach the sling to the swivel bar.
3. Lift the patient up off of the seat until straps are taut.
4. Turn patient with sling until legs are outside of car.
5. Lift up on legs with one (1) hand and tilt the patient back with the other hand.

TRANSPORTING THE PATIENT (con't)

Transferring From A Car To A Wheelchair (con't)

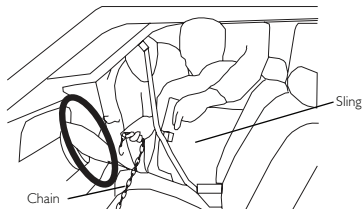
6. The second assistant should pull the patient lift away from the car until the patient is completely clear of the door frame.
7. Release the patient back to his/her normal sitting position in the sling.
8. Position the wheelchair under the patient.
9. Engage the rear wheel locks of the wheelchair.

WARNING

Wheelchair wheel locks **MUST** be in a locked position before lowering the patient into the wheelchair for transport.

10. One (1) assistant will slowly lower the patient into the wheelchair while the other assistant guides him/her into the chair.

1. ATTACHING THE CHAINS



2. REMOVING THE PATIENT FROM THE CAR

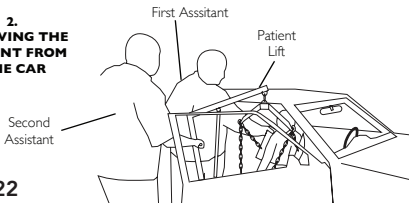


Fig. 22

CARE AND MAINTENANCE

NOTE

Follow the maintenance procedures described in this manual to keep your patient lift in continuous service.

The ProBasics Patient Lift is designed to provide a maximum of safe, efficient and satisfactory service with minimum care and maintenance. All parts of the ProBasics Lift are made of the superior grades of steel, but metal to metal contact will wear after considerable use.

There is no adjustment or maintenance for either the casters or brakes, other than cleaning, lubrication and checking axle and swivel bolts for tightness. Remove all debris, etc. from the wheel and swivel bearings. If any parts are worn, replace these parts immediately.

If you question the safety of any part of the lift, contact your Dealer immediately and advise him/ her of your problem. Discontinue use of the product until a qualified technician has inspected the patient lift and confirmed it is safe to use.

Hydraulic Pump

All parts of the Hydraulic Pump are precision machined, then carefully assembled and tested to ensure reliable service. The pump assembly is completely enclosed and sealed with polychloroprene rings to prevent leakage of hydraulic oil. A small amount of oil (about a drop) will accumulate around the piston from time to time and should be removed with a facial tissue.

NOTE

The hydraulic pump is sealed at the factory and if service is required, the pump unit **MUST** be returned to the factory for repair. **DO NOT** attempt to **OPEN** the hydraulic pump or obtain local service. This will void the warranty and might result in damage and costly repair. Consult your dealer for information.

CARE AND MAINTENANCE (con't)

Lubrication

The ProBasics lift is designed for minimum maintenance; however, a six (6) month check and lubrication should ensure continued safety and reliability.

Keep lift and slings clean and in good working order. Any defect should be noted and reported to your dealer as soon as possible. The casters **MUST** swivel and roll smoothly. A light grease (waterproof auto lubricant) may be applied to the ball bearing swivel of the casters once a year. Apply more frequently if the casters are exposed to extreme moist conditions.

The connection between the mast and the base should be cleaned and coated with petroleum jelly prior to assembly.

Lubricate all pivot points. Wipe all excess lubricant from lift surface.

1. Swivel Bar at Mounting Bracket
2. Boom Mounting Bracket
3. Boom to Mast Mount
4. Mast Mounting Bracket
5. Base to Mast Mount
6. Rear Casters
7. Front Casters

Wear And Damage



WARNING

- It is important to inspect all stressed parts, such as slings, spreader bar and any pivot for slings for signs of cracking, fraying, deformation or deterioration. Replace any defective parts immediately and ensure that the lift is not used until repairs are made.
- All sling metal parts should be inspected every three (3) months, and if wear is apparent, replacement must be made.

CARE AND MAINTENANCE (con't)

Cleaning

The sling should be washed regularly in water temperature of 140°F (60°C) and laundry detergent or upholstery cleaner for more difficult stains. **DO NOT USE** bleach, as it may damage some materials used to construct slings. A soft cloth, dampened with water and a small amount of mild detergent, is all that is needed to clean the patient lift. The lift can be cleaned with non-abrasive cleaners. Prior to use, re-lubricate the pivot points.

Maintenance Safety Inspection Checklist

	Before First Use*	Monthly Inspection	6 Month Inspection
The Caster Base			
Inspect for missing hardware	X	X	
Lift Base opens/closes with ease	X		X
Inspect roll pin to ensure secure base	X	X	
Inspect casters and axle bolts for tightness.	X	X	
Inspect casters for smooth swivel and roll	X	X	
Apply a light grease to caster ball bearings			X
Shifter Handle			
Operates smoothly	X		X
Locks adjustable base whenever engaged	X	X	
Check roll pin for wear	X	X	
The Mast			
Mast should lock securely when assembled.	X	X	
Inspect for bends or defections.	X	X	
Lubricate mast with petroleum jelly when assembled.	X		

CARE AND MAINTENANCE (con't)

Maintenance Safety Inspection Checklist (con't)

	Before First Use*	Monthly Inspection	6 Month Inspection
The Boom			
Check all hardware and swivel bar supports	X	X	
Inspect for bends or defections	X	X	
Inspect bolted joints of boom for wear	X	X	
Inspect to ensure that the boom is centered between the base legs	X	X	X
The Swivel Bar			
Check the hooks for wear or damage	X	X	X
Check sling hooks for wear or deflection	X	X	X
The Pump Assembly			
Check for leakage	X	X	X
Inspect hardware on mast and boom	X	X	X
Check for wear or deflection of rod (IF DAMAGED, RETURN TO FACTORY.)	X	X	X
The Pump Handle			
Check for smooth operation	X	X	
The Control Valve			
Easy to switch from open to close	X	X	
Cleaning			
As needed	X		
Slings And Hardware**			
Inspect sling attachments and material for wear	X	X	
Inspect nylon web straps for wear	X	X	

* Do these before the first use, reassembly of the lift or after a cleaning.

** Check all sling hardware chains, s-hooks, o-rings and d-rings each time it is used to ensure proper connection and patient safety.

Troubleshooting

WARNING

If you experience a problem with your ProBasics patient lift and are unable to service it yourself following these steps, contact your ProBasics dealer.

SYMPTOM	POSSIBLE CAUSE	ACTION
Patient lift does not go up or down	Air in the cylinder	Bleed the cylinder by turning the release knob and push down on the mast. Pump up the lift again and turn then release knob again.
	Loss of hydraulic fluid (leaking cylinder)	
		Replace any leaking cylinder
Patient lift does not go down	Air in the cylinder	See above

NOTE

If the hydraulic cylinder begins leaking fluid, do not operate. Contact your ProBasics dealer for a new cylinder.

LIMITED WARRANTY

Your ProBasics brand product is warranted as follows:

Limited 5 year warranty on the frame one (1) year limited warranty on the pump and other lift components.

This device was built to exacting standards and carefully inspected prior to shipment. This warranty is an expression of our confidence in the materials and workmanship of our products and our assurance to the consumer of years of dependable service.

This warranty does not cover device failure due to owner misuse or negligence, or normal wear and tear. The warranty does not extend to non-durable components, such as rubber accessories, casters, and grips, which are subject to normal wear and need periodic replacement.

If you have questions about your ProBasics device or this warranty, please contact an authorized ProBasics dealer or Compass Health Brands.